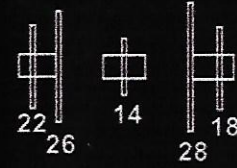
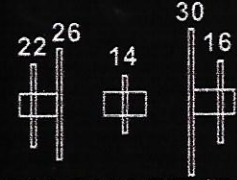


ADJUST DOUBLE IDLER TO
GIVE SMALLER SPROCKET
MAXIMUM CHAIN WRAP

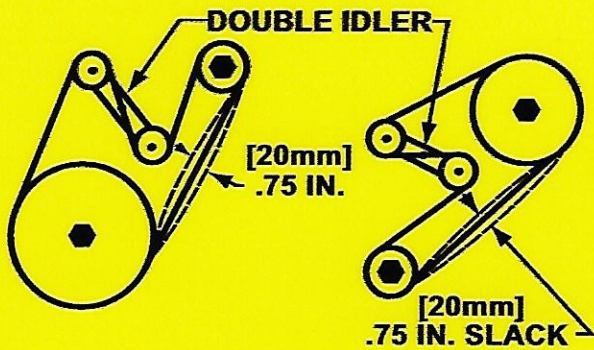
TOP SHAFT (DRIVEN)



NUMBER OF SPROCKET TEETH

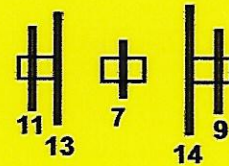


BOTTOM SHAFT (DRIVER)

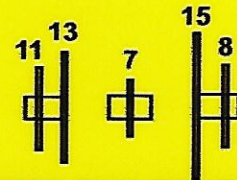


ADJUST DOUBLE IDLER TO
GIVE SMALLER SPROCKET
MAXIMUM CHAIN WRAP

TOP SHAFT (DRIVEN)



NUMBER OF SPROCKET TEETH



BOTTOM SHAFT (DRIVER)