

Loosen nuts (A) and align indicator with letter (B) according to soybean size as listed.

POSITION	SEED SIZE IN SEEDS PER POUND	DESCRIPTION
A	3700-4500	Small
B	2800-3700	Medium Small
C	2000-2800	Large

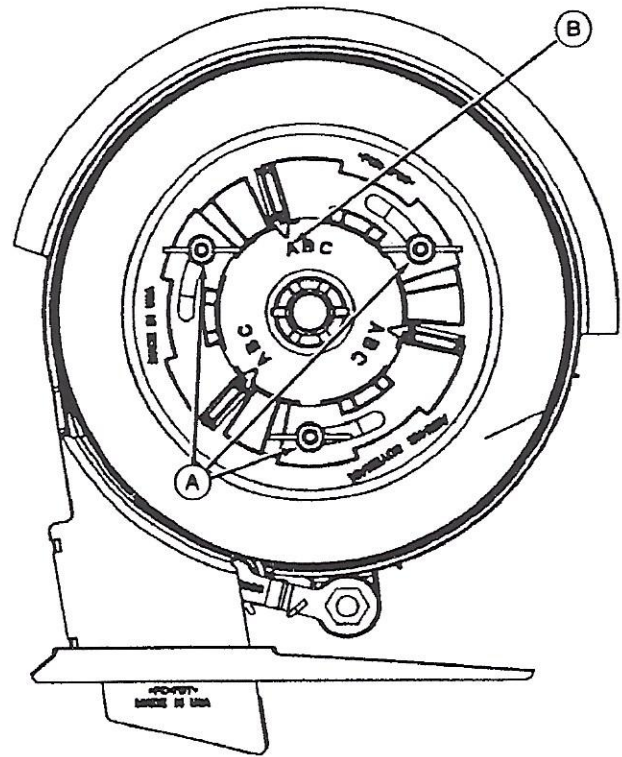
Addition of a 3/8 tablespoon of graphite per bushel of soybeans into the hopper is recommended for extending the life of the meter.

Settings above are approximate for a given seed size. Operator should check population, and adjust setting to get best population control. Selecting the next larger seed size will result in a slightly greater population. Selecting the next smaller seed size will result in a slightly lower population.

Addition of 1/2 cup of talc over the top of each hopper full of seeds may improve population during humid planting conditions.

Meter cannot be adjusted when the bowl is full. The seed inside the bowl prevents the bowl cover from moving in. The hopper/meter should be laid on its side and the seed shaken down to make room for the bowl cover.

**IMPORTANT: The bowl should turn with minimal resistance when cells are filled with seed. If bowl is difficult to turn, soybeans may be passing beneath bowl. Reduce setting by one position (C to B, or B to A), and check population in the field. (See Checking Seed Population.)**



-JUN-29SEP98  
A45103

A64281,E -19-05OCT98